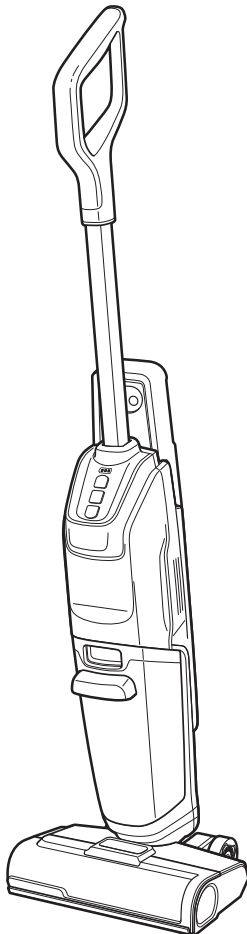




CROSSWAVE® EDGE CORDLESS

CORDLESS ALL-IN-ONE MULTI-SURFACE CLEANER

4326, 4327, 4328 SERIES





..... 3



..... 4



..... 5



..... 6



..... 8



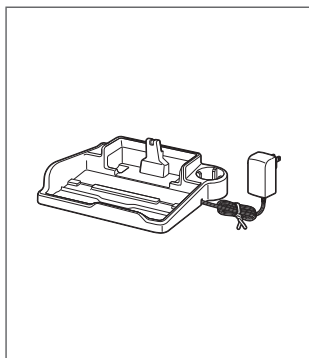
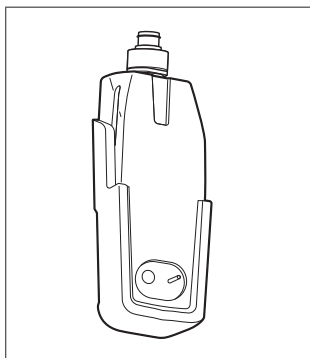
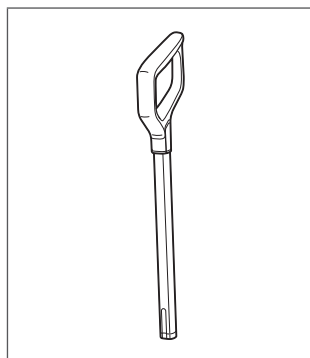
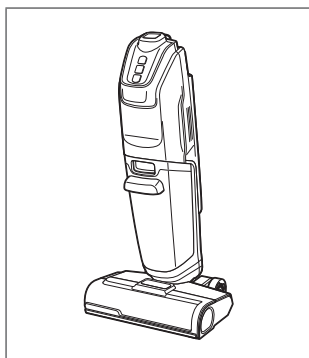
..... 9

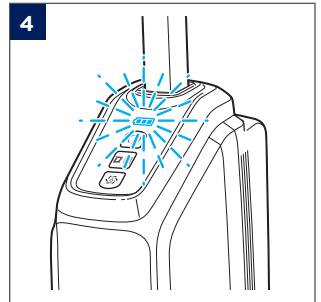
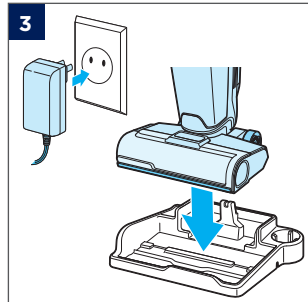
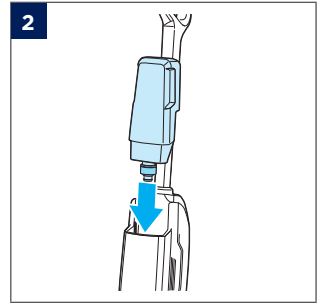
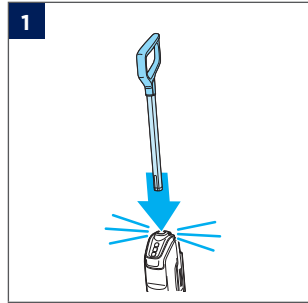
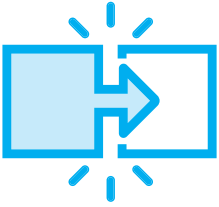


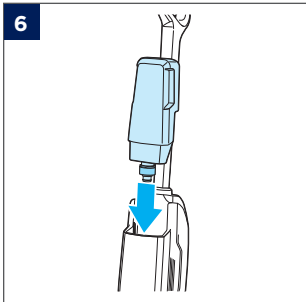
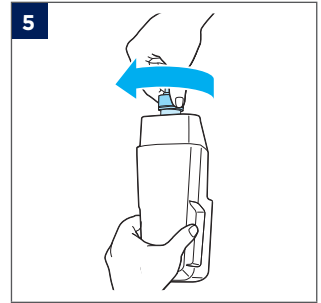
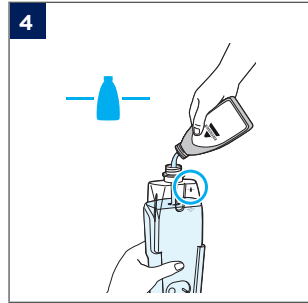
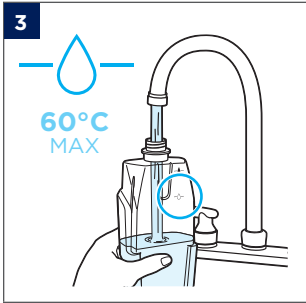
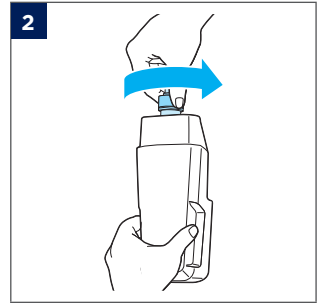
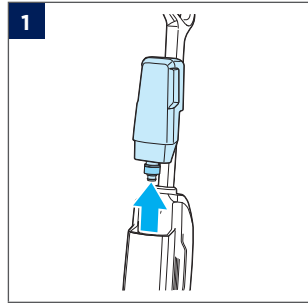
..... 10



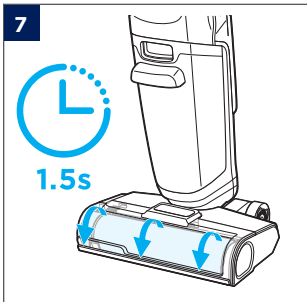
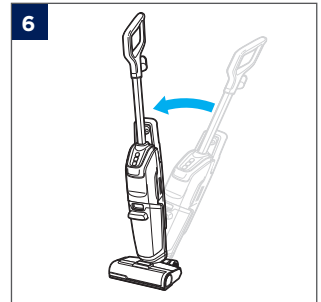
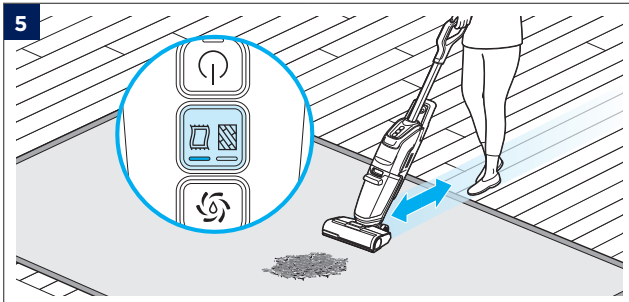
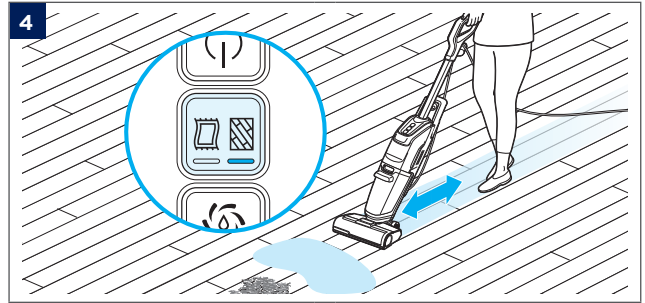
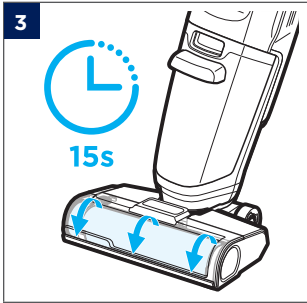
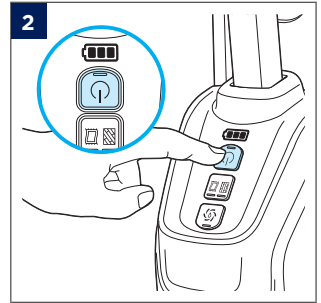
..... 11

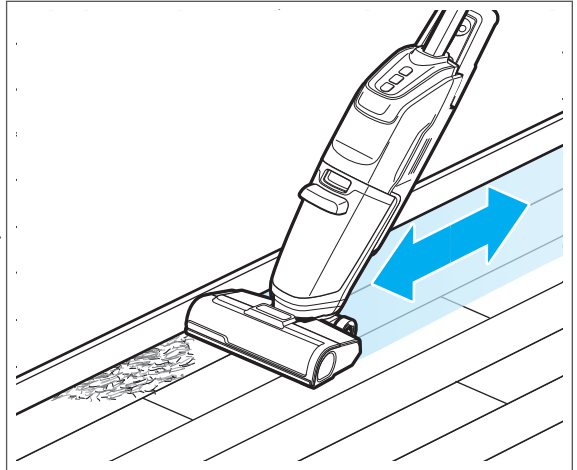
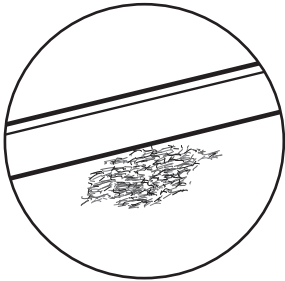


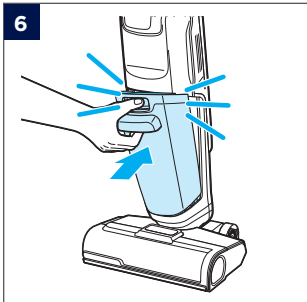
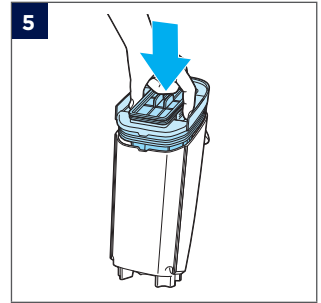
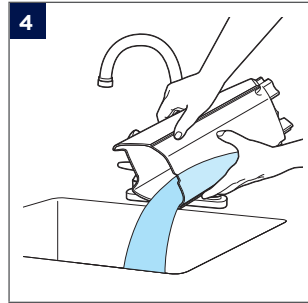
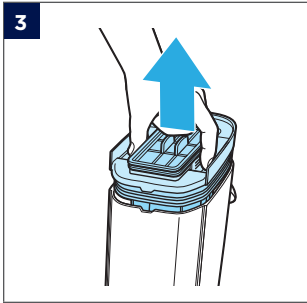
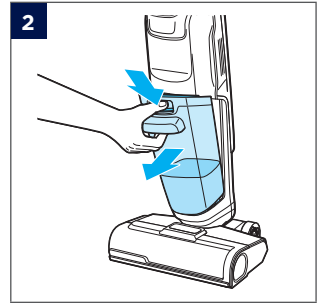
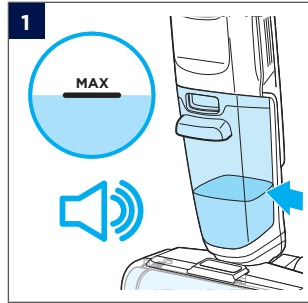


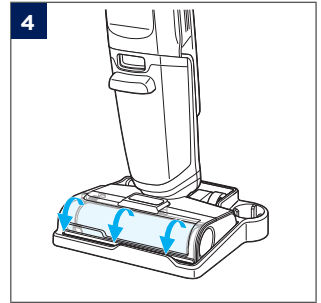
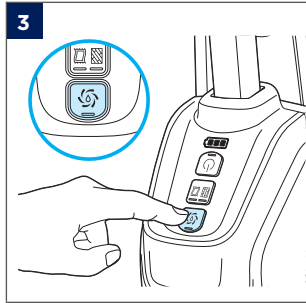
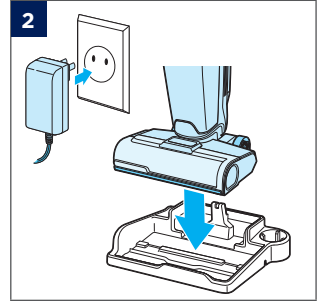
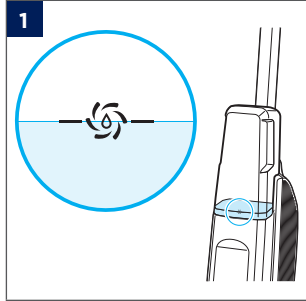


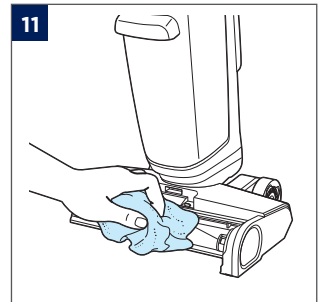
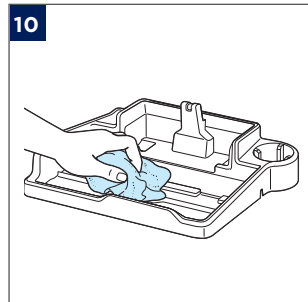
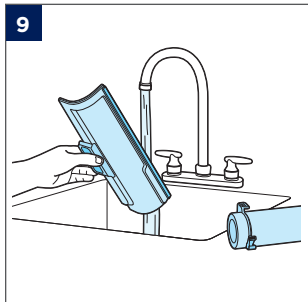
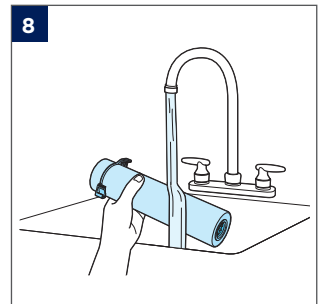
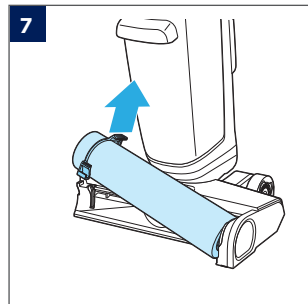
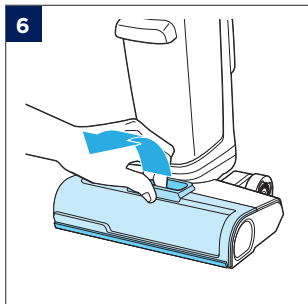
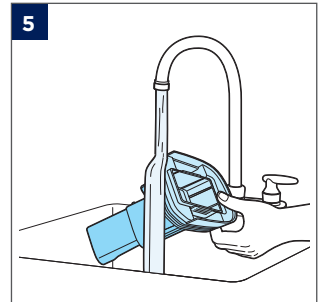
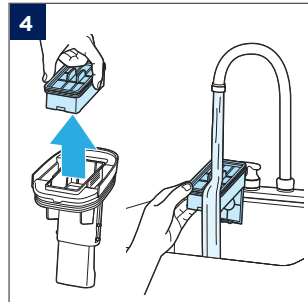
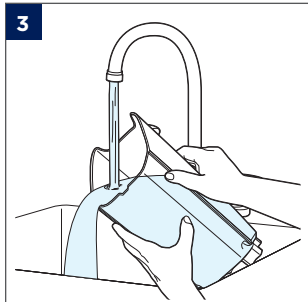
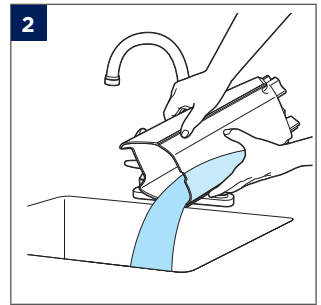
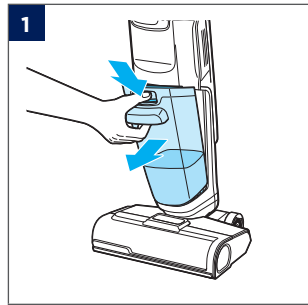
BISSELL® Natural Multi-Surface Cleaning Solution (3096, 3096I), BISSELL® Natural Multi-Surface Pet Cleaning Solution (3122, 3122I),
BISSELL® Multi-Surface Cleaning Solution (1789L), BISSELL® Multi-Surface Pet Cleaning Solution (2550), BISSELL® CrossWave® Pet Pro Oxy (4019M)

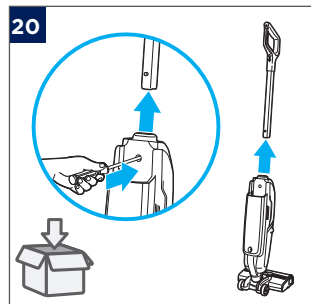
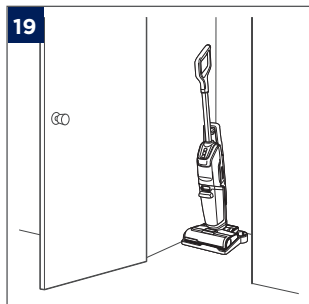
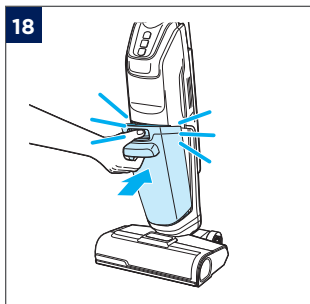
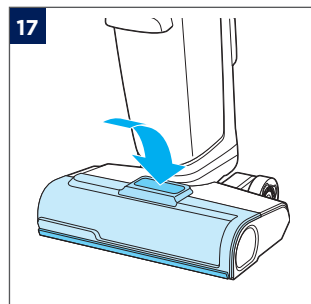
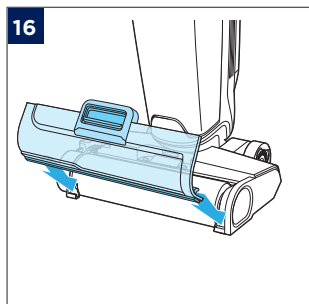
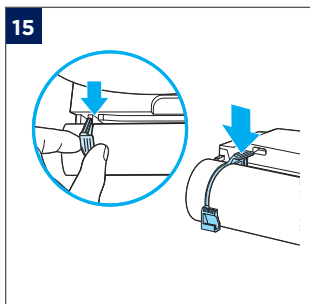
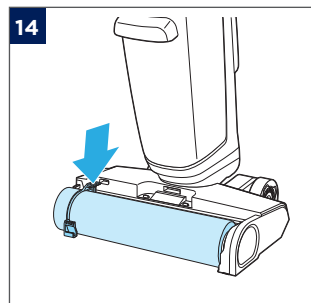
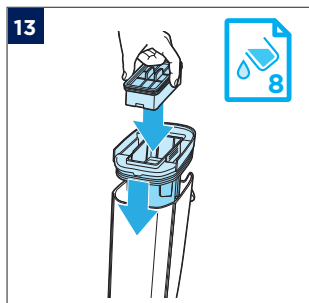
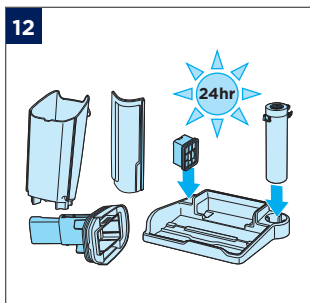














©2025 BISSELL, Inc. All rights reserved.
Part Number 1652318 10/25 v4
global.BISSELL.com